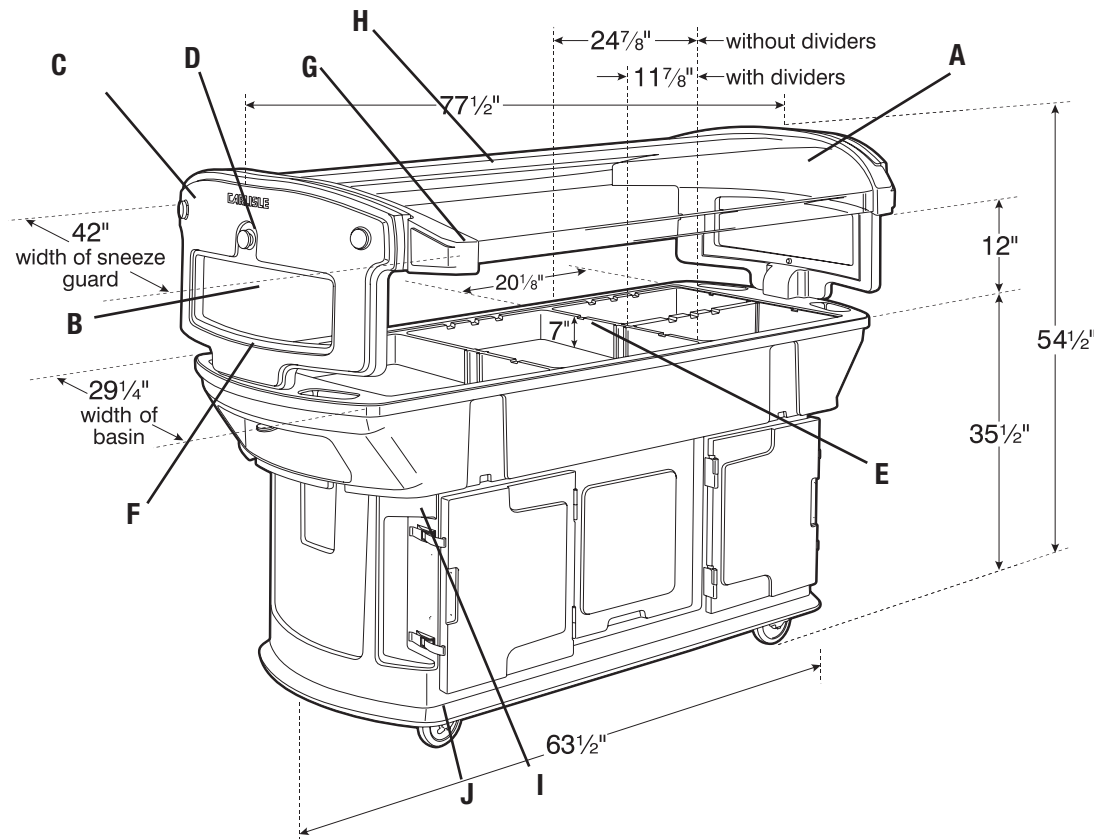




reference: replacement parts

Number	Description	Pack	Cs. Wt. Cube	Number	Description	Pack	Cs. Wt. Cube
--------	-------------	------	--------------	--------	-------------	------	--------------



MAXIMIZER™ FOOD BAR

A	7750	Sneeze Guard Shield
B	7751	End Post Shield
C	7752	Post Knob
D	7753	Shield Knob
E	7754	Basin Divider
F	7760	Sneeze Guard Post
G	7761	Sneeze Guard Cap
H	7756	6 ft Shield Support Rod
I	7755	Latch Assembly
J	IC225CSB	5" Non-marking Swivel Caster w/Brake

ADJUSTABLE SNEEZE GUARDS

Shown on Pages 102-103

Colors: 9660, 9672, 9948 available in Black(03) or Satin Aluminum(23) Finish

9648, 9851 in Black(03) only

9002, 9003, 9004 also available in Gray(31) color code for 9407, 9417 is (00)

9648	1-1/4" Spar - 48" – Bottom – Adj.	1 ea	1.70/0.36
9660	1-1/4" Spar - 60" – Bottom – Adj.	1 ea	2.75/0.46
9672	1-1/4" Spar - 73-1/4" – Bottom – Adj.	1 ea	3.10/0.56
9948	Legs (only) - Adjustable-Single Sided	1 pr	7.00/0.94
9851	Legs (only) - Adjustable-Double Sided	1 pr	5.75/1.10
7702	Hardware for Single-Sided Sneeze Guard	1 ea	0.15/0.05
7704	Hardware for Two-Sided Tabletop Sneeze Guard	1 ea	0.15/0.05

ADJUSTABLE SNEEZE GUARDS (CONTINUED)

9407	Hardware Kit Single Suspended Sneeze Guard	1 ea	1.60/0.05
9417	Hardware Kit Double Sided Suspended	1 ea	1.55/0.05

Note: 9672 can ship UPS/FedEx Ground at oversize cost

SNEEZE GUARD ASSEMBLY BLOCKS (SEE BELOW)

9001	Assembly Block - 1" 30° 2 Prong	1 pr	0.30/0.05
9005	Assembly Block - 1" 60° 3 Prong	1 pr	0.55/0.10
9002	Assembly Block - 1" 90° 3 Prong	1 pr	0.40/0.05
9003	Assembly Block - 1-1/4" 90° 3 Prong	1 pr	0.50/0.05
9004	Assembly Block - 1" 90° 2 Prong	1 pr	0.20/0.05

SNEEZE GUARD ASSEMBLY BLOCKS REFERENCE GUIDE



visit our online catalog: <http://info.carlislefsp.com/catalog>

303

